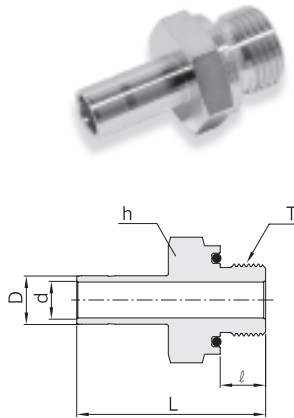


## Hy-Lok Two Ferrule Tube Fittings

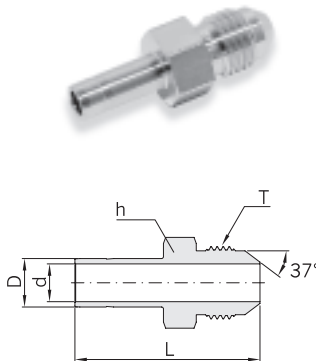
### O-Seal Straight Thread Male Adapter **CAMOS**



#### Connectors Fractional Hy-Lok Port To O-Seal Female Straight Thread

Part No.	Tube O.D. D		Straight Thread T(U)	d min.	Width across flat h		ℓ	L	O-ring Uniform Size Number
	in	mm			in	mm			
CAMOS 2 - 2U	1/8	3,17	5/16-24	2,03	9/16	14,28	8,63	32,51	-011
CAMOS 3 - 3U	1/8	3,17	3/8-24	3,05	5/8	15,87	9,65	35,05	-013
CAMOS 4 - 4U	1/4	6,35	7/16-20	4,32	3/4	19,05	10,41	39,11	-013
CAMOS 5 - 5U	5/16	7,93	1/2-20	5,59	7/8	22,22	11,18	41,65	-112
CAMOS 6 - 6U	3/8	9,52	9/16-18	6,86	15/16	23,81	11,94	43,18	-113
CAMOS 8 - 8U	1/2	12,70	3/4-16	9,40	1 1/8	28,57	11,94	49,53	-116

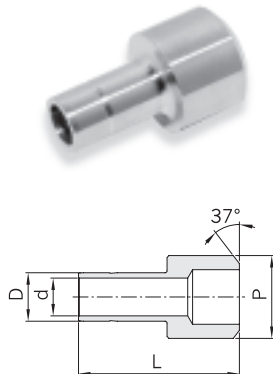
### AN Adapter **CAMF**



#### Connectors Fractional Hy-Lok Port To AN Flared Tube

Part No.	Tube O.D. D		AN Tube O.D. D		Straight Thread T(U)	d min.	Width across flat h		L
	in	mm	in	mm			in	mm	
CAMF 4 - 4	1/4	6,35	1/4	6,35	7/16-20	4,32	1/2	12,70	37,08
CAMF 6 - 4	3/8	9,52	1/4	6,35	7/16-20	4,32	1/2	12,70	38,86
CAMF 6 - 6	3/8	9,52	3/8	9,52	9/16-18	6,86	5/8	15,87	39,62
CAMF 8 - 8	1/2	12,70	1/2	12,70	3/4-16	9,40	13/16	20,63	48,51
CAMF 12 - 12	3/4	19,05	3/4	19,05	1 1/16-12	14,73	1 1/8	28,58	56,13
CAMF 16 - 16	1	25,40	1	25,40	1 5/16-12	20,32	1 3/8	34,92	65,53

### Weld Adapter **SAPW**



#### Connectors Fractional Hy-Lok Port To Pipe

Part No.	Tube O.D. D		Male Pipe Size P		d min.	L
	in	mm	Nom.	mm		
SAPW 4T - 4P	1/4	6,35	1/4	13,70	4,32	28,96
SAPW 6T - 8P	3/8	9,52	1/2	21,30	6,86	37,08
SAPW 8T - 8P	1/2	12,70	1/2	21,30	9,40	42,16
SAPW 8T - 12P	1/2	12,70	3/4	26,67	9,40	42,67
SAPW 12T - 12P	3/4	19,05	3/4	26,67	14,73	47,50

All dimensions are in millimeters unless otherwise specified. Dimensions are for reference only, subject to change.