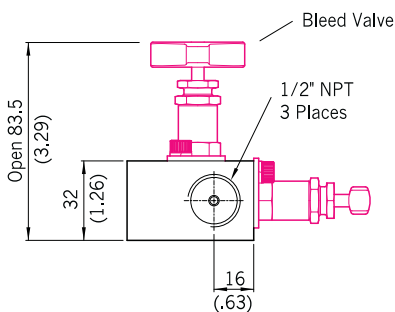
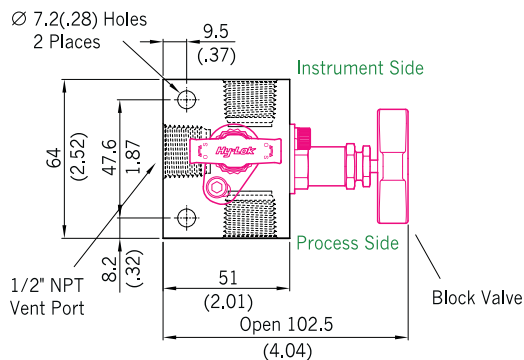
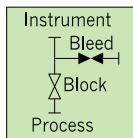
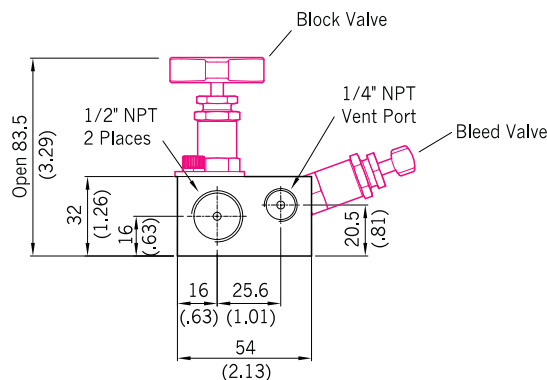
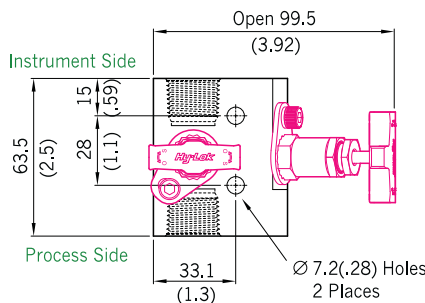
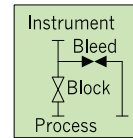


Remote Mounting

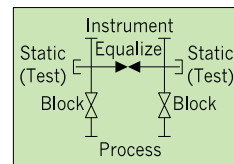
2-Valves Block
M2V ** 8N
 0.8 kg (1.8 lb)



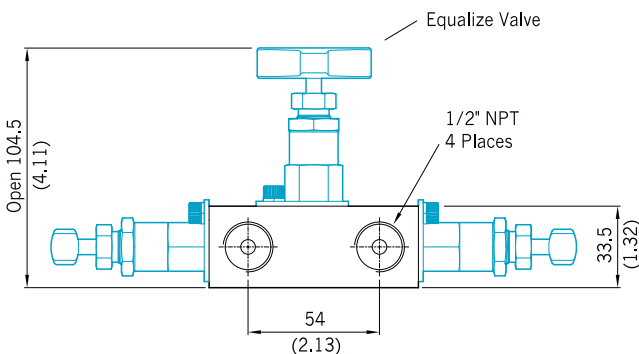
2-Valves Vertical
M2VV ** 8N
 0.9 kg (2.0 lb)



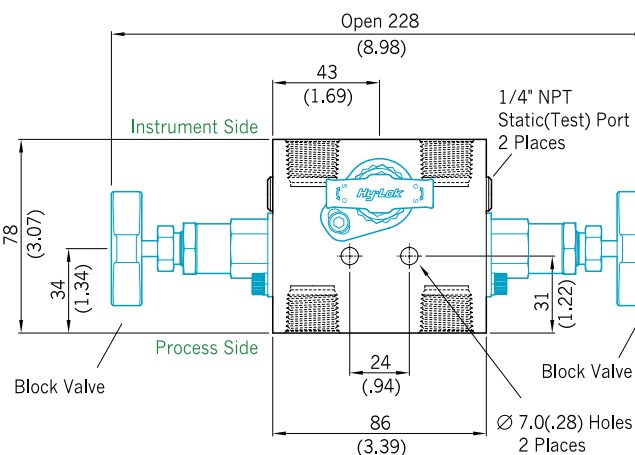
3-Valves Block
M3V ** 8N
 2.0 kg (4.4 lb)



Side View



Top View



All dimensions are in millimeters(inches) reference only, subject to change.