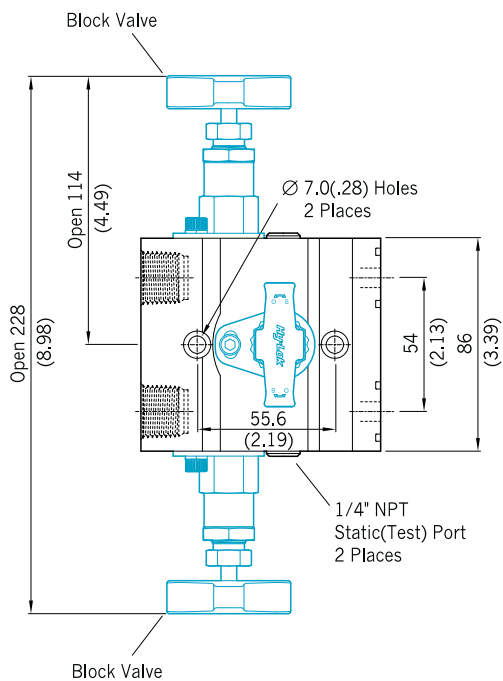
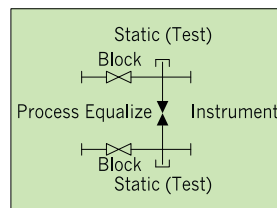
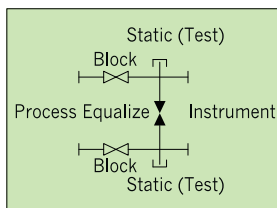
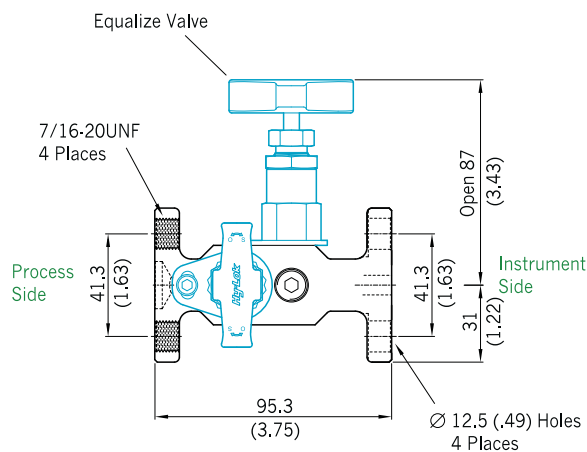
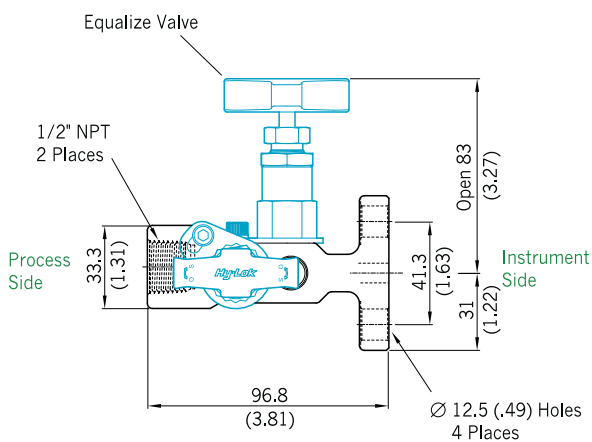
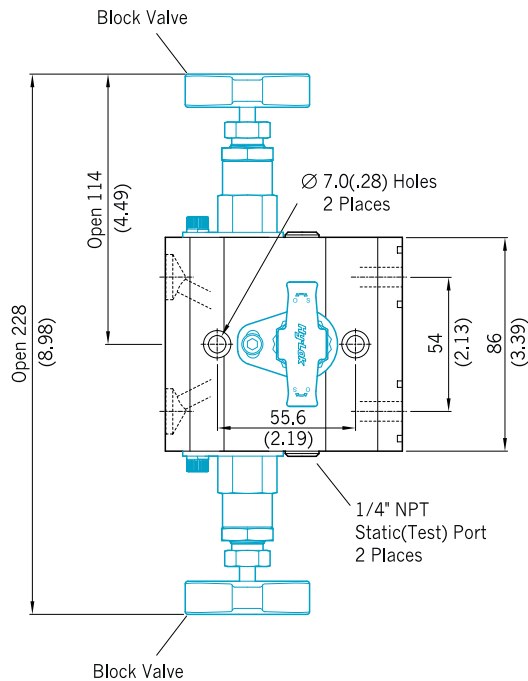


3-Valves Single Flange
M3V1F ** 8N
 2.2 kg (4.9 lb)



3-Valves Dual Flange
M3V2F **
 2.5 kg (5.5 lb)



All dimensions are in millimeters(inches) reference only, subject to change.