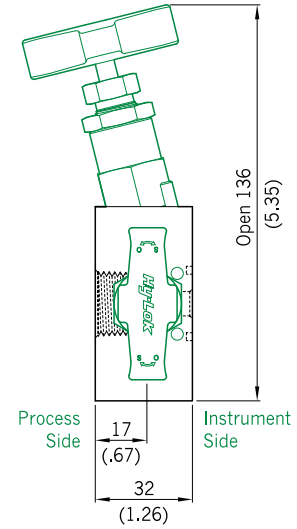
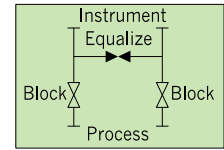
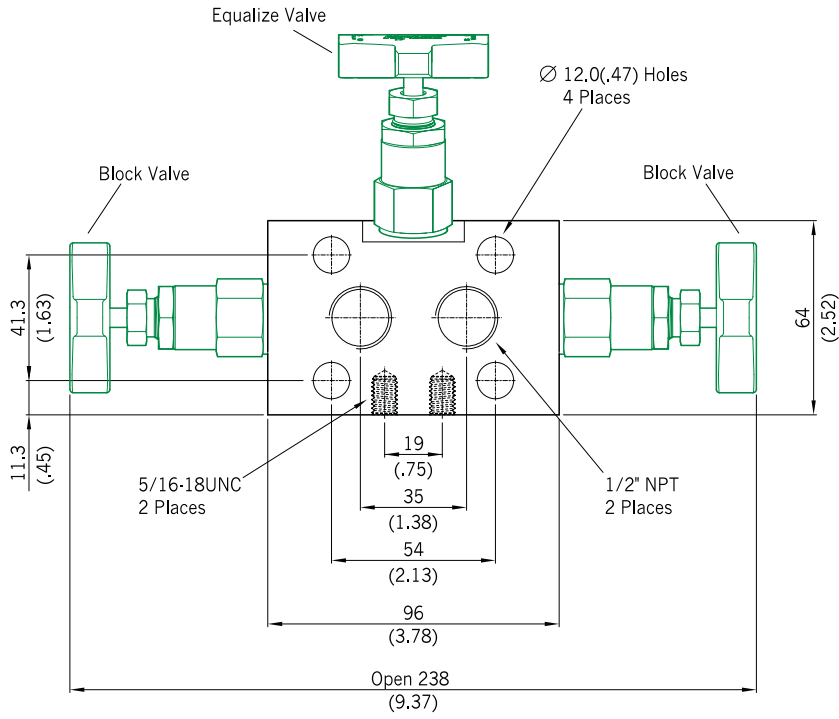


Instrument Manifold

3-Valves Single Block Flange

M3VDM ** 8N

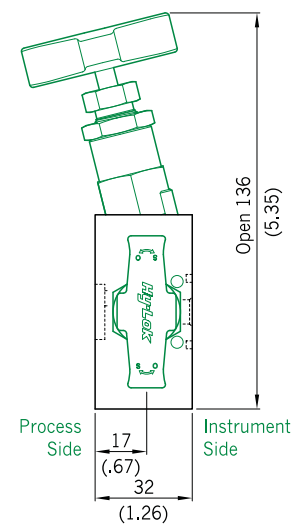
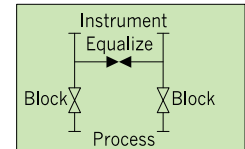
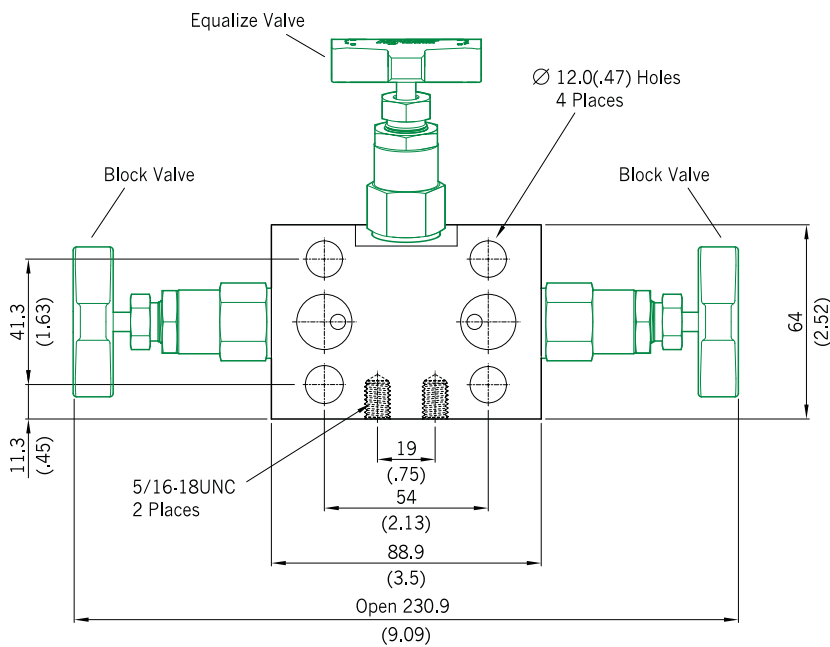
1.7 kg (3.8 lb)



3-Valves Dual Block Flange

M3V2DM **

1.8 kg (4.0 lb)



All dimensions are in millimeters(inchs) reference only, subject to change.