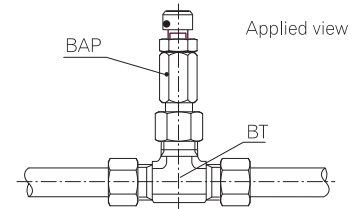
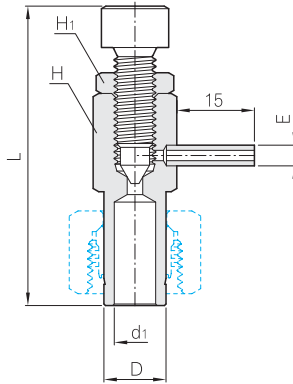
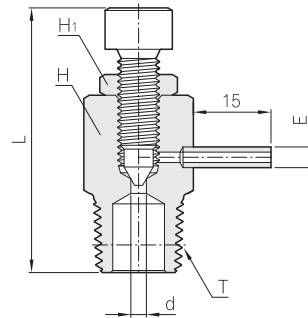


## Air Purge Valve BAP - 1



Part No.	D	E	d	Width across flat		L	Ball
				H	H <sub>1</sub>		
BAP - 06	6	4	3	14	13	56	7/32
BAP - 08	8	4	3	14	13	56	7/32
BAP - 10	10	4	3	14	13	57	7/32
BAP - 12	12	4	3	14	13	58	7/32
BAP - 15	15	6	4	27	19	74	5/16
BAP - 16	16	6	4	27	19	74	5/16
BAP - 18	18	6	4	27	19	74	5/16
BAP - 20	20	6	4	27	19	75	5/16
BAP - 22	22	6	4	27	19	76	5/16
BAP - 25	25	6	4	27	19	78	5/16
BAP - 28	28	6	4	30	19	78	5/16
BAP - 81	10.5	4	3	14	13	57	7/32
BAP - 82	13.8	6	4	27	19	72	5/16
BAP - 83	17.3	6	4	27	19	74	5/16
BAP - 84	21.7	6	4	27	19	76	5/16
BAP - 85	27.2	6	4	30	19	79	5/16

## Air Purge Valve BAP - 2



Part No.	(PT) T	D	d	Width across flat		L	Ball
				H	H <sub>1</sub>		
BAP - 01R	1/8	4	3	14	13	51	7/32
BAP - 02R	1/4	4	3	14	13	53	7/32
BAP - 03R	3/8	6	4	19	13	54	7/32
BAP - 04R	1/2	6	4	27	19	69	5/16

All dimensions are in millimeters. Dimensions are for reference only, subject to change.