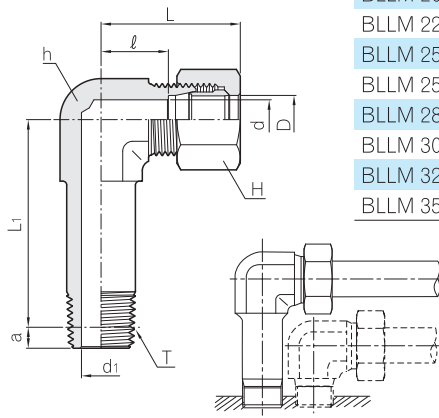


Long Male Elbow

**BLLM**

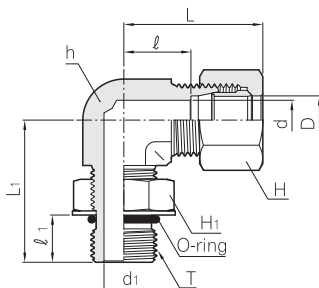


Applied View

| Part No.      | Tube O.D. D | (PT) T | d  | d <sub>1</sub> | Basic gauge length a | Width across flat |    |      | ℓ    | Approx.        |  |
|---------------|-------------|--------|----|----------------|----------------------|-------------------|----|------|------|----------------|--|
|               |             |        |    |                |                      | h                 | H  | L    |      | L <sub>1</sub> |  |
| BLLM 06 - 01R | 6           | 1/8    | 4  | 4              | 3.97                 | 14                | 14 | 13.0 | 30.5 | 36.0           |  |
| BLLM 08 - 02R | 8           | 1/4    | 6  | 7              | 6.01                 | 17                | 17 | 16.0 | 33.5 | 43.0           |  |
| BLLM 10 - 02R | 10          | 1/4    | 8  | 7              | 6.01                 | 17                | 19 | 16.0 | 34.5 | 46.0           |  |
| BLLM 12 - 02R | 12          | 1/4    | 10 | 7              | 6.01                 | 19                | 22 | 17.0 | 35.5 | 52.0           |  |
| BLLM 12 - 03R | 12          | 3/8    | 10 | 9              | 6.35                 | 19                | 22 | 17.0 | 35.5 | 53.0           |  |
| BLLM 15 - 03R | 15          | 3/8    | 12 | 9              | 6.35                 | 24                | 27 | 21.5 | 41.5 | 61.5           |  |
| BLLM 15 - 04R | 15          | 1/2    | 12 | 12             | 8.16                 | 24                | 27 | 21.5 | 41.5 | 67.0           |  |
| BLLM 16 - 04R | 16          | 1/2    | 13 | 12             | 8.16                 | 27                | 30 | 24.5 | 44.5 | 70.0           |  |
| BLLM 18 - 04R | 18          | 1/2    | 14 | 12             | 8.16                 | 27                | 32 | 24.0 | 44.5 | 77.0           |  |
| BLLM 20 - 06R | 20          | 3/4    | 17 | 16             | 9.53                 | 30                | 36 | 25.0 | 45.5 | 82.5           |  |
| BLLM 22 - 06R | 22          | 3/4    | 18 | 16             | 9.53                 | 32                | 36 | 25.0 | 46.5 | 83.5           |  |
| BLLM 25 - 06R | 25          | 3/4    | 20 | 16             | 9.53                 | 36                | 41 | 26.0 | 49.5 | 90.5           |  |
| BLLM 25 - 08R | 25          | 1      | 20 | 22             | 10.39                | 36                | 41 | 26.0 | 49.9 | 91.5           |  |
| BLLM 28 - 08R | 28          | 1      | 22 | 22             | 10.39                | 41                | 46 | 31.0 | 55.0 | 104.5          |  |
| BLLM 30 - 10R | 30          | 1 1/4  | 25 | 31             | 12.70                | 46                | 46 | 36.0 | 60.5 | 104.5          |  |
| BLLM 32 - 10R | 32          | 1 1/4  | 26 | 31             | 12.70                | 46                | 50 | 35.0 | 60.5 | 104.5          |  |
| BLLM 35 - 10R | 35          | 1 1/4  | 28 | 31             | 12.70                | 46                | 55 | 35.0 | 63.5 | 121.5          |  |

O - Seal Male Elbow

**BOLM**



| Part No.      | Tube O.D. D | (PF) T | d  | d <sub>1</sub> | Width across flat |                |    | ℓ <sub>1</sub> | ℓ    | Approx.        |      |
|---------------|-------------|--------|----|----------------|-------------------|----------------|----|----------------|------|----------------|------|
|               |             |        |    |                | h                 | H <sub>1</sub> | H  |                |      | L <sub>1</sub> | L    |
| BOLM 06 - 01G | 6           | 1/8    | 4  | 4              | 14                | 14             | 14 | 10             | 13.0 | 30             | 30.5 |
| BOLM 08 - 02G | 8           | 1/4    | 6  | 6              | 17                | 19             | 17 | 12             | 16.0 | 34             | 33.5 |
| BOLM 10 - 02G | 10          | 1/4    | 8  | 6              | 17                | 19             | 19 | 12             | 16.0 | 35             | 34.5 |
| BOLM 12 - 02G | 12          | 1/4    | 10 | 6              | 19                | 19             | 22 | 12             | 17.0 | 36             | 35.5 |
| BOLM 12 - 03G | 12          | 3/8    | 10 | 9              | 19                | 22             | 22 | 12             | 17.0 | 36             | 35.5 |
| BOLM 12 - 04G | 12          | 1/2    | 10 | 12             | 24                | 27             | 22 | 16             | 17.0 | 46             | 35.5 |
| BOLM 15 - 03G | 15          | 3/8    | 12 | 9              | 24                | 22             | 27 | 12             | 21.5 | 40             | 41.5 |
| BOLM 15 - 04G | 15          | 1/2    | 12 | 12             | 24                | 27             | 27 | 16             | 21.5 | 46             | 41.5 |
| BOLM 16 - 04G | 16          | 1/2    | 13 | 12             | 24                | 27             | 30 | 16             | 24.5 | 46             | 44.5 |
| BOLM 18 - 04G | 18          | 1/2    | 14 | 12             | 30                | 27             | 32 | 16             | 24.0 | 52             | 44.5 |
| BOLM 20 - 06G | 20          | 3/4    | 17 | 16             | 30                | 36             | 36 | 17             | 25.0 | 52             | 45.5 |
| BOLM 22 - 06G | 22          | 3/4    | 18 | 16             | 32                | 36             | 36 | 17             | 25.0 | 52             | 46.5 |
| BOLM 25 - 06G | 25          | 3/4    | 20 | 16             | 36                | 36             | 41 | 17             | 26.0 | 60             | 49.5 |
| BOLM 25 - 08G | 25          | 1      | 20 | 22             | 36                | 41             | 41 | 21             | 26.0 | 62             | 49.5 |
| BOLM 28 - 08G | 28          | 1      | 22 | 22             | 41                | 41             | 46 | 21             | 31.0 | 62             | 55.0 |
| BOLM 30 - 08G | 30          | 1      | 25 | 22             | 41                | 41             | 46 | 21             | 31.0 | 66             | 55.5 |
| BOLM 30 - 10G | 30          | 1 1/4  | 25 | 31             | 46                | 50             | 46 | 21             | 34.0 | 66             | 58.5 |
| BOLM 32 - 10G | 32          | 1 1/4  | 26 | 31             | 46                | 50             | 50 | 21             | 35.0 | 66             | 60.5 |
| BOLM 35 - 10G | 35          | 1 1/4  | 28 | 31             | 46                | 50             | 55 | 21             | 35.0 | 66             | 63.5 |
| BOLM 38 - 12G | 38          | 1 1/2  | 32 | 36             | 50                | 50             | 60 | 21             | 38.0 | 73             | 69.5 |

All dimensions are in millimeters. Dimensions are for reference only, subject to change.