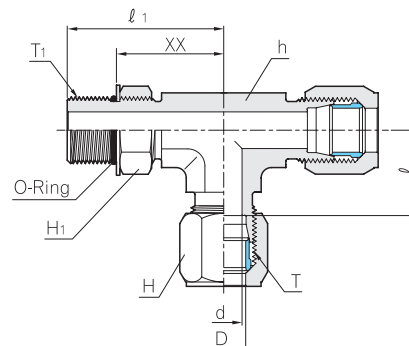


O-ring Seal Run Tee

BORTM

SAE 080428 MS51892

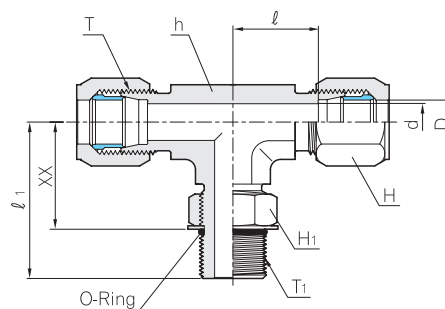


Part No.	Tube O.D D (in)	T Straight Thread Size	T ₁ SAE/MS Straight Thread Size	d	Width across flat			l	l ₁
					h	H	H ₁		
BORTM 4T-04U	1/4	7/16 - 20	7/16 - 20	5.2	11.1	14.2	14.2	16.7	26.2
BORTM 6T-06U	3/8	9/16 - 18	9/16 - 18	7.0	14.2	17.4	17.4	22.4	31.8
BORTM 8T-08U	1/2	3/4 - 16	3/4 - 16	10.7	19.1	22.2	22.2	24.1	36.8
BORTM10T-10U	5/8	7/8 - 14	7/8 - 14	12.7	22.2	25.4	25.4	27.2	43.2
BORTM12T-12U	3/4	1 1/16 - 12	1 1/16 - 12	16.6	27.0	31.7	31.7	31.2	49.3
BORTM16T-16U	1	1 5/16 - 12	1 5/16 - 12	22.2	33.3	38.1	38.1	33.4	52.1

O-ring Seal Branch Tee

BOBTM

SAE 080429 MS51841



Part No.	Tube O.D D (in)	T Straight Thread Size	T ₁ SAE/MS Straight Thread Size	d	Width across flat			l	l ₁	XX after ass'y
					h	H	H ₁			
BOLM 4T-04U	1/4	7/16 - 20	7/16 - 20	5.2	11.1	14.2	14.2	16.7	26.2	17.0
BOLM 6T-06U	3/8	9/16 - 18	9/16 - 18	7.0	14.2	17.4	17.4	22.4	31.8	21.8
BOLM 8T-08U	1/2	3/4 - 16	3/4 - 16	10.7	19.1	22.2	22.2	24.1	36.8	25.7
BOLM12T-12U	3/4	1 1/16 - 12	1 1/16 - 12	16.6	27.0	31.7	31.7	31.2	49.3	34.3
BOLM16T-16U	1	1 5/16 - 12	1 5/16 - 12	22.2	33.3	38.1	38.1	33.4	52.1	37.1

All dimensions are in millimeters unless otherwise specified. Dimensions are for reference only, subject to change.