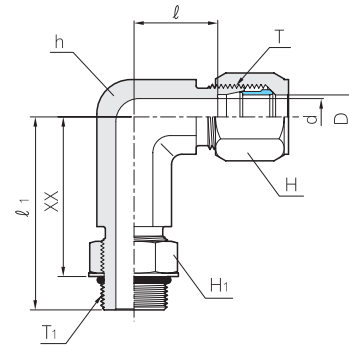


# SAE J514 Flareless Tube Fittings

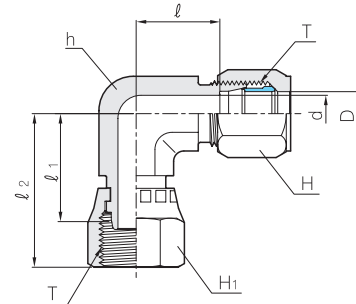
## O-ring Seal Long Male Elbow BOLLM



Part No.	Tube O.D D (in)	T Straight Thread Size	T <sub>1</sub> SAE/MS Straight Thread Size	d	Width across flat			l	l <sub>1</sub>	XX after ass'y
					h	H	H <sub>1</sub>			
BOLLM 4T-04U	1/4	7/16 - 20	7/16 - 20	5.2	11.1	14.2	14.2	16.7	36.3	27.2
BOLLM 6T-06U	3/8	9/16 - 18	9/16 - 18	7.0	14.2	17.4	17.4	20.4	43.7	33.8
BOLLM 8T-08U	1/2	3/4 - 16	3/4 - 16	10.7	19.1	22.2	22.2	24.1	51.3	40.1
BOLLM10T-10U	5/8	7/8 - 14	7/8 - 14	12.7	22.2	25.4	25.4	27.2	60.7	48.0
BOLLM12T-12U	3/4	1 1/16 - 12	1 1/16 - 12	16.6	27.0	31.7	31.7	31.2	68.3	53.3
BOLLM16T-16U	1	1 5/16 - 12	1 5/16 - 12	22.2	33.3	38.1	38.1	33.4	79.5	64.5

## Swivel Elbow BSL

SAE 080221 MS51852



l<sub>2</sub> - Center to end of Mating Part

Part No.	Tube O.D D (in)	T Straight Thread Size	d	Width across flat			l	l <sub>1</sub>	l <sub>2</sub>
				h	H	H <sub>1</sub>			
BSL - 4T	1/4	7/16 - 20	5.2	11.1	14.2	14.2	16.6	19.1	26.7
BSL - 6T	3/8	9/16 - 18	7.0	14.2	17.4	17.4	20.4	23.9	32.5
BSL - 8T	1/2	3/4 - 16	10.7	19.1	22.2	22.2	24.1	27.2	37.3
BSL - 10T	5/8	7/8 - 14	12.7	22.2	25.4	25.4	27.2	30.5	40.9
BSL - 12T	3/4	1 1/16 - 12	16.6	27.0	31.7	31.7	31.2	32.8	45.0
BSL - 16T	1	1 5/16 - 12	22.2	33.3	38.1	38.1	33.4	36.3	47.2
BSL - 20T	1 1/4	1 5/8 - 12	27.8	41.3	50.8	50.8	42.3	42.2	52.8

All dimensions are in millimeters unless otherwise specified. Dimensions are for reference only, subject to change.