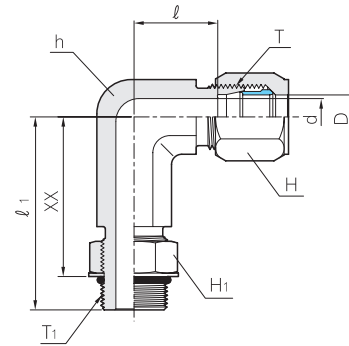


SAE J514 Flareless Tube Fittings

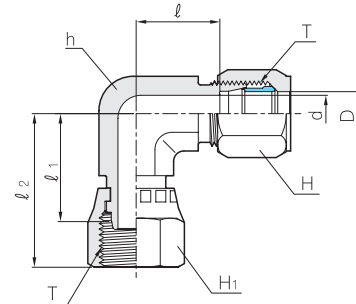
O-ring Seal Long Male Elbow BOLLM



| Part No. | Tube O.D D (in) | T Straight Thread Size | T ₁ SAE/MS Straight Thread Size | d | Width across flat | | | l | l ₁ | XX after ass'y |
|--------------|--------------------|---------------------------------|--|------|-------------------|------|----------------|------|----------------|-------------------|
| | | | | | h | H | H ₁ | | | |
| BOLLM 4T-04U | 1/4 | 7/16 - 20 | 7/16 - 20 | 5.2 | 11.1 | 14.2 | 14.2 | 16.7 | 36.3 | 27.2 |
| BOLLM 6T-06U | 3/8 | 9/16 - 18 | 9/16 - 18 | 7.0 | 14.2 | 17.4 | 17.4 | 20.4 | 43.7 | 33.8 |
| BOLLM 8T-08U | 1/2 | 3/4 - 16 | 3/4 - 16 | 10.7 | 19.1 | 22.2 | 22.2 | 24.1 | 51.3 | 40.1 |
| BOLLM10T-10U | 5/8 | 7/8 - 14 | 7/8 - 14 | 12.7 | 22.2 | 25.4 | 25.4 | 27.2 | 60.7 | 48.0 |
| BOLLM12T-12U | 3/4 | 1 1/16 - 12 | 1 1/16 - 12 | 16.6 | 27.0 | 31.7 | 31.7 | 31.2 | 68.3 | 53.3 |
| BOLLM16T-16U | 1 | 1 5/16 - 12 | 1 5/16 - 12 | 22.2 | 33.3 | 38.1 | 38.1 | 33.4 | 79.5 | 64.5 |

Swivel Elbow BSL

SAE 080221 MS51852



l₂ - Center to end of Mating Part

| Part No. | Tube O.D D (in) | T Straight Thread Size | d | Width across flat | | | l | l ₁ | l ₂ |
|-----------|--------------------|---------------------------------|------|-------------------|------|----------------|------|----------------|----------------|
| | | | | h | H | H ₁ | | | |
| BSL - 4T | 1/4 | 7/16 - 20 | 5.2 | 11.1 | 14.2 | 14.2 | 16.6 | 19.1 | 26.7 |
| BSL - 6T | 3/8 | 9/16 - 18 | 7.0 | 14.2 | 17.4 | 17.4 | 20.4 | 23.9 | 32.5 |
| BSL - 8T | 1/2 | 3/4 - 16 | 10.7 | 19.1 | 22.2 | 22.2 | 24.1 | 27.2 | 37.3 |
| BSL - 10T | 5/8 | 7/8 - 14 | 12.7 | 22.2 | 25.4 | 25.4 | 27.2 | 30.5 | 40.9 |
| BSL - 12T | 3/4 | 1 1/16 - 12 | 16.6 | 27.0 | 31.7 | 31.7 | 31.2 | 32.8 | 45.0 |
| BSL - 16T | 1 | 1 5/16 - 12 | 22.2 | 33.3 | 38.1 | 38.1 | 33.4 | 36.3 | 47.2 |
| BSL - 20T | 1 1/4 | 1 5/8 - 12 | 27.8 | 41.3 | 50.8 | 50.8 | 42.3 | 42.2 | 52.8 |

All dimensions are in millimeters unless otherwise specified. Dimensions are for reference only, subject to change.