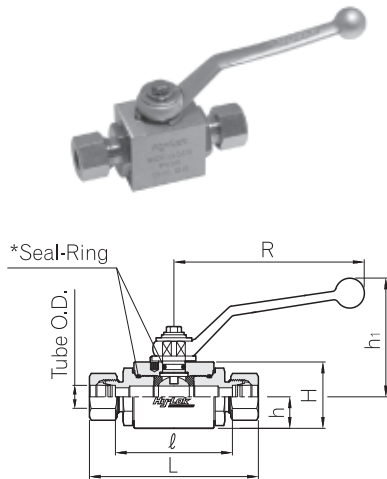


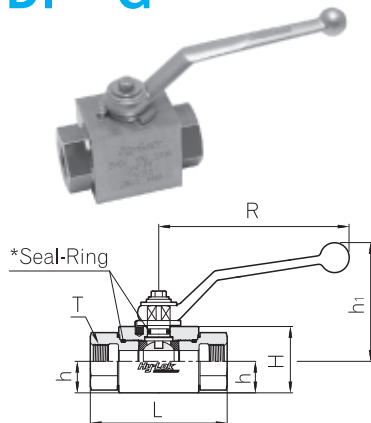
BVDT - L/S



for Light / Heavy Series Tube.

Series	Part No.	Tube O.D.	DN ⁽¹⁾	B ⁽³⁾	H	h	h ₁	L	l	R	Weight (kg)	PN(bar)	
												Steel	SS316
L	BVDT - 6L	6	4	26	33	13.5	83.0	67	40.0	115	0.4	500	500
	BVDT - 8L	8	6	26	33	13.5	83.0	67	40.0	115	0.4	500	500
	BVDT - 10L	10	6	26	33	13.5	83.0	74	40.0	115	0.5	500	500
	BVDT - 12L	12	10	32	38	17.5	88.5	74	43.0	115	0.6	500	500
	BVDT - 15L	15	13	35	40	19.0	90.0	82	48.0	115	0.7	500	500
	BVDT - 18L	18	13	35	40	19.0	90.0	82	48.0	115	0.8	400	500
	BVDT - 22L	22	20	49	57	24.5	113.0	101	62.0	159	2.1	400	420
	BVDT - 28L	28	25	58	65	29.5	121.0	108	66.2	159	2.3	400	420
	BVDT - 35L	35	25	58	65	29.5	121.0	112	66.2	159	2.3	400	420
S	BVDT - 8S	8	4	26	33	13.5	83.0	67	40.0	115	0.4	500	500
	BVDT - 10S	10	6	26	33	13.5	83.0	67	40.0	115	0.4	500	500
	BVDT - 12S	12	6	32	38	17.5	88.5	74	40.0	115	0.5	500	500
	BVDT - 14S	14	10	32	38	17.5	88.5	74	43.0	115	0.6	500	500
	BVDT - 16S	16	13	35	40	19.0	90.0	82	48.0	115	0.7	500	500
	BVDT - 20S	20	13	35	40	19.0	90.0	82	48.0	115	0.8	400	500
	BVDT - 25S	25	20	49	57	24.5	113.0	101	62.0	159	2.1	400	420
	BVDT - 30S	30	25	58	65	29.5	121.0	108	66.2	159	2.3	400	420
	BVDT - 38S	38	25	58	65	29.5	121.0	112	66.2	159	2.3	315	420

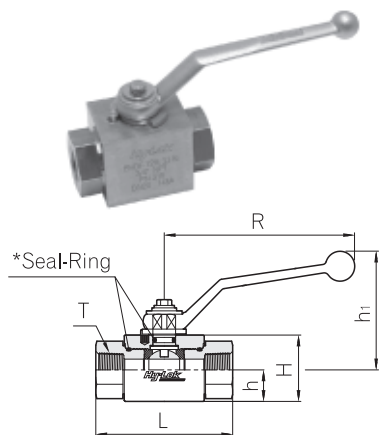
BVDF - G



for BSP Paralled

Part No.	T G(PF)	DN ⁽¹⁾	B ⁽³⁾	H	h	h ₁	L	R	Weight (kg)	PN(bar)	
										Steel	SS316
BVDF - 2G	1/8	6	26	33	13.5	83.0	68.8	115	0.4	500	500
BVDF - 4G	1/4	6	26	33	13.5	83.0	68.8	115	0.4	500	500
BVDF - 6G	3/8	10	32	38	17.5	88.5	71.9	115	0.6	500	500
BVDF - 8G	1/2	13	35	40	19.0	90.0	82.3	115	0.7	500	500
BVDF - 12G	3/4	20	49	57	24.5	113.0	95.4	159	1.6	400	420
BVDF - 16G	1	25	58	65	29.5	121.0	112.7	159	2.3	400	420
BVDF - 20G	1 1/4	25	58	65	29.5	121.0	120.0	159	2.3	315	420

BVDF - N



for NPT

Part No.	T N(NPT)	DN ⁽¹⁾	B ⁽³⁾	H	h	h ₁	L	R	Weight (kg)	PN(bar)	
										Steel	SS316
BVDF - 4N	1/4	6	26	33	13.5	83.0	68.8	115	0.4	500	500
BVDF - 6N	3/8	10	32	38	17.5	83.5	78.0	115	0.6	500	500
BVDF - 8N	1/2	13	35	40	19.0	90.0	104.0	115	0.7	500	500
BVDF - 12N	3/4	20	49	57	24.5	113.0	102.0	159	1.6	400	420
BVDF - 16N	1	25	58	65	29.5	121.0	119.0	159	2.3	400	420
BVDF - 20N	1 1/4	25	58	65	29.5	121.0	130.0	159	2.3	315	420

Note : (1) DN is the max orifice.
 DN is available up to DN80 upon request.
 Please consult local authorized Hy-Lok representative
 (2) Safety factor of PB in bar is 1.5
 (3) "B" Dimensions are width across flat of body

Dimensions are given for approximate length with tightened nut. All dimensions are in millimeters for reference only, subject to change.
 *The standard Seal-Ring material is FPM(e.g. Viton®) however NBR(e.g. perbunan®) is also available on request (See Page 3).