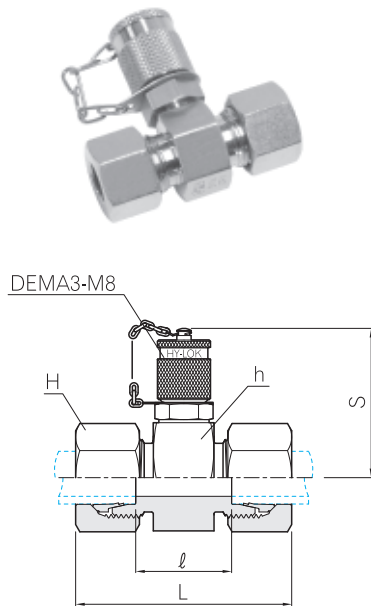


Tee Test Coupling with threaded Connection DEMA 3-M8

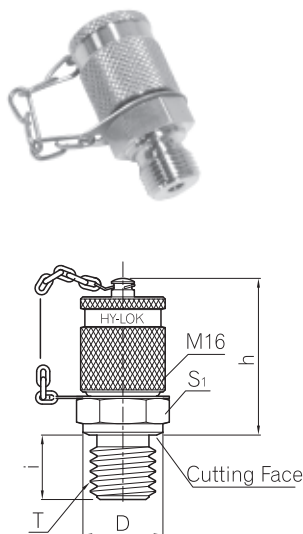
**DGMA**



Series	Part No.	Tube O.D.	H	h	L	ℓ	S	PN(bar)	
								Steel	SS316
L	DGMA 3 - 06L	6	14	24	50	20.5	45	315	315
	DGMA 3 - 08L	8	17	24	50	20.5	45	315	315
	DGMA 3 - 10L	10	19	24	52	22.5	45	315	315
	DGMA 3 - 12L	12	22	24	52	22.5	45	315	315
	DGMA 3 - 15L	15	27	30	55	24.5	48	315	315
	DGMA 3 - 18L	18	32	32	56	23.5	49	315	315
	DGMA 3 - 22L	22	36	36	60	27.5	51	160	160
	DGMA 3 - 28L	28	41	41	61	27.5	53	160	160
	DGMA 3 - 35L	35	50	46	69	25.5	56	160	160
	DGMA 3 - 42L	42	60	55	70	24.5	60	160	160
S	DGMA 3 - 06S	6	17	24	54	24.5	45	630	630
	DGMA 3 - 08S	8	19	24	54	24.5	45	630	630
	DGMA 3 - 10S	10	22	24	56	23.5	45	630	630
	DGMA 3 - 12S	12	24	24	56	23.5	45	630	630
	DGMA 3 - 14S	14	27	27	62	26.5	46	630	630
	DGMA 3 - 16S	16	30	30	62	25.5	48	400	400
	DGMA 3 - 20S	20	36	36	69	25.5	51	400	400
	DGMA 3 - 25S	25	46	41	75	26.5	53	400	400
	DGMA 3 - 30S	30	50	46	81	27.5	56	400	400
	DGMA 3 - 38S	38	60	55	90	29.0	60	315	315

Test Coupling with threaded Connection M16

**DEMA**



Form B stud end standard  
(Form E stud end available)

Part No.	D	h	i	S <sub>1</sub>	T	PN(bar)
						Steel
DEMA3 - 01G	14	36	8	17	PF 1/8	400
DEMA3 - 02G	18	36	10	19	PF 1/4	400
DEMA3 - 03G	22	36	12	22	PF 3/8	400
DEMA3 - 04G	26	36	14	27	PF 1/2	400
DEMA3 - M10	14	36	8	17	M 10 x 1	400
DEMA3 - M12	17	36	12	17	M 12 x 1.5	400
DEMA3 - M14	19	36	12	19	M 14 x 1.5	400
DEMA3 - M16	21	36	12	22	M 16 x 1.5	400

Dimensions are given for approximate length with tightened nut. All dimensions are in millimeters for reference only, subject to change.