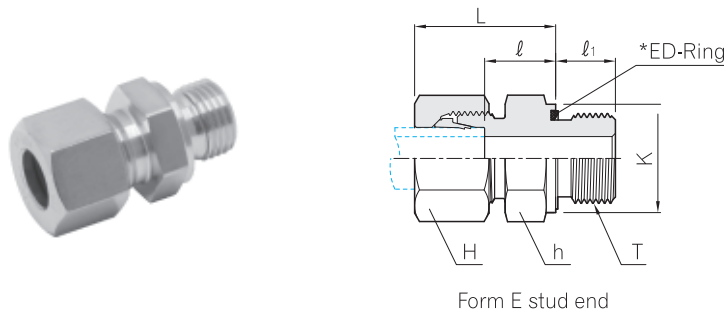


Male Connector(BSP Paralled) with *ED-Ring
DMC-GED



Series	Part No.	Tube O.D.	H	h	K	L	l	l ₁	T G(PF)	PN(bar)		
										C.Steel	SS316	BRASS
L	DMC 06L - 01GED	6	14	14	14	23	8.5	8	1/8	500	315	200
	DMC 06L - 02GED	6	14	19	19	25	10.0	12	1/4	500	315	200
	DMC 08L - 01GED	8	17	14	14	24	9.5	8	1/8	500	315	200
	DMC 08L - 02GED	8	17	19	19	25	10.0	12	1/4	500	315	200
	DMC 08L - 03GED	8	17	22	22	26	11.5	12	3/8	420	315	200
	DMC 10L - 02GED	10	19	19	19	26	11.0	12	1/4	500	315	200
	DMC 10L - 03GED	10	19	22	22	27	12.5	12	3/8	420	315	200
	DMC 10L - 04GED	10	19	27	27	28	13.0	14	1/2	400	315	200
	DMC 12L - 02GED	12	22	19	19	27	12.0	12	1/4	400	315	200
	DMC 12L - 03GED	12	22	22	22	27	12.5	12	3/8	420	315	200
	DMC 12L - 04GED	12	22	27	27	28	13.0	14	1/2	400	315	200
	DMC 15L - 03GED	15	27	24	22	29	13.5	12	3/8	400	315	200
	DMC 15L - 04GED	15	27	27	27	29	14.0	14	1/2	400	315	200
	DMC 18L - 04GED	18	32	27	27	31	14.5	14	1/2	400	315	200
	DMC 18L - 06GED	18	32	32	32	31	14.5	16	3/4	250	160	100
	DMC 22L - 06GED	22	36	32	32	33	16.5	16	3/4	250	160	100
	DMC 28L - 08GED	28	41	41	40	34	17.5	18	1	250	160	100
	DMC 35L - 10GED	35	50	50	50	39	17.5	20	1 1/4	250	160	100
DMC 42L - 12GED	42	60	55	55	42	19.0	22	1 1/2	250	160	100	
S	DMC 06S - 02GED	6	17	19	19	28	13.0	12	1/4	800	630	400
	DMC 08S - 02GED	8	19	19	19	30	15.0	12	1/4	800	630	400
	DMC 08S - 03GED	8	19	22	22	30	15.5	12	3/8	800	630	
	DMC 10S - 02GED	10	22	19	19	31	14.5	12	1/4	800	630	
	DMC 10S - 03GED	10	22	22	22	31	15.0	12	3/8	800	630	400
	DMC 10S - 04GED	10	22	27	27	34	17.5	14	1/2	630	630	
	DMC 12S - 02GED	12	24	22	19	33	16.5	12	1/4	630	630	
	DMC 12S - 03GED	12	24	22	22	33	17.0	12	3/8	630	630	400
	DMC 12S - 04GED	12	24	27	32	34	17.5	14	1/2	630	630	
	DMC 14S - 04GED	14	27	27	27	37	19.0	14	1/2	630	630	400
	DMC 16S - 03GED	16	30	27	22	36	18.0	12	3/8	630	400	
	DMC 16S - 04GED	16	30	27	27	37	18.5	14	1/2	630	400	250
	DMC 16S - 06GED	16	30	32	27	39	20.5	16	3/4	420	400	
	DMC 20S - 06GED	20	36	32	32	42	20.5	16	3/4	420	400	250
	DMC 25S - 04GED	25	46	41	27	47	23.0	14	1/2	420	400	
	DMC 25S - 06GED	25	46	41	32	47	23.0	16	3/4	420	400	
	DMC 25S - 08GED	25	46	41	40	47	23.0	18	1	420	400	250
	DMC 30S - 10GED	30	50	50	50	50	23.5	20	1 1/4	420	400	250
DMC 38S - 12GED	38	60	55	55	57	26.0	22	1 1/2	420	315	200	

Dimensions given for approximate length with tightened nut. All dimensions are in millimeters for reference only, subject to change.
 * The standard ED-Ring material is NBR(e.g. perbunan®) however FPM(e.g. Viton®) is also available on Request (See Page3).