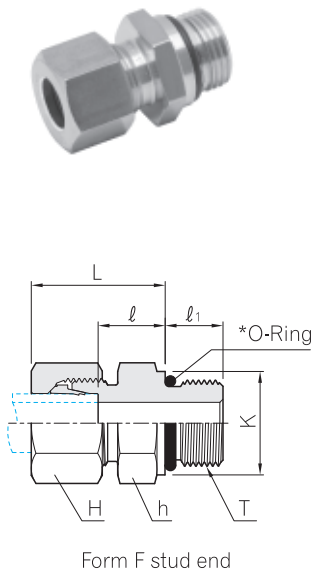


Male Connector(Unified and Metric Paralled) with *O-Ring DOM-U/M



for Unified

Series	Part No.	Tube O.D.	H	h	K	L	ℓ ₁	ℓ	T U(Unified)	PN(bar)	
										Steel	SS316
L	DOM 08L-04U	8	17	17	14.4	25	9.0	10.0	7/16-20 UNF-2A	315	315
	DOM 10L-04U	10	19	17	14.4	26	10.0	11.0	7/16-20 UNF-2A	315	315
	DOM 12L-06U	12	22	19	17.6	26	10.0	11.0	9/16-18 UNF-2A	315	315
	DOM 12L-08U	12	22	24	22.3	28	11.0	13.0	3/4-16 UNF-2A	315	315
	DOM 12L-10U	12	22	27	25.5	29	12.7	14.3	7/8-14 UNF-2A	315	315
	DOM 15L-08U	15	27	24	22.3	29	11.0	14.0	3/4-16 UNF-2A	315	315
	DOM 15L-10U	15	27	27	25.5	30	12.7	15.3	7/8-14 UNF-2A	315	315
	DOM 18L-08U	18	32	27	22.3	31	11.0	14.5	3/4-16 UNF-2A	315	315
	DOM 18L-10U	18	32	27	25.5	31	12.7	14.8	7/8-14 UNF-2A	315	315
	DOM 22L-10U	22	36	32	25.5	33	12.7	16.8	7/8-14 UNF-2A	160	160
	DOM 22L-12U	22	36	32	31.9	33	15.0	16.5	1 1/16-12 UN-2A	160	160
	DOM 22L-16U	22	36	41	38.2	34	15.0	17.5	1 5/16-12 UN-2A	160	160
	DOM 28L-12U	28	41	41	31.9	34	15.0	17.5	1 1/16-12 UN-2A	160	160
	DOM 28L-16U	28	41	41	38.2	34	15.0	17.5	1 5/16-12 UN-2A	160	160
	DOM 35L-16U	35	50	46	38.2	39	15.0	17.5	1 5/16-12 UN-2A	160	160
	DOM 35L-20U	35	50	50	47.7	39	15.0	17.5	1 5/8-12 UN-2A	160	160
DOM 42L-20U	42	60	55	47.7	42	15.0	19.0	1 5/8-12 UN-2A	160	160	
S	DOM 08S-04U	8	19	17	16.0	30	9.0	15.0	7/16-20 UNF-2A	630	630
	DOM 10S-06U	10	22	19	17.6	31	10.0	14.5	9/16-18 UNF-2A	630	630
	DOM 12S-06U	12	24	22	17.6	31	10.0	14.5	9/16-18 UNF-2A	630	630
	DOM 12S-08U	12	24	24	22.3	34	11.0	17.5	3/4-16 UNF-2A	630	630
	DOM 16S-08U	16	30	24	22.3	34	11.0	15.5	3/4-16 UNF-2A	400	400
	DOM 16S-10U	16	30	27	25.5	37	12.7	18.8	7/8-14 UNF-2A	400	400
	DOM 20S-08U	20	36	32	22.3	42	11.0	20.5	3/4-16 UNF-2A	400	400
	DOM 20S-10U	20	36	32	25.5	42	12.7	20.8	7/8-14 UNF-2A	400	400
	DOM 20S-12U	20	36	32	31.9	42	15.0	20.5	1 1/16-12 UN-2A	400	400
	DOM 25S-12U	25	46	36	31.9	47	15.0	23.0	1 1/16-12 UN-2A	400	400
	DOM 25S-16U	25	46	41	38.2	47	15.0	23.0	1 5/16-12 UN-2A	400	400
	DOM 30S-16U	30	50	46	38.2	50	15.0	23.5	1 5/16-12 UN-2A	400	400
DOM 30S-20U	30	50	50	47.7	50	15.0	23.5	1 5/8-12 UN-2A	400	400	
DOM 38S-20U	38	60	55	47.7	57	15.0	26.0	1 5/8-12 UN-2A	315	315	

for Metric Paralled

Series	Part No.	Tube O.D.	H	h	K	L	ℓ ₁	ℓ	T U(Unified)
L	DOM 06L-M10	6	14	14	-	23	10.0	8.5	M 10 x 1
	DOM 08L-M12	8	17	17	-	25	11.5	10.0	M 12 x 1.5
	DOM 10L-M14	10	19	19	-	26	11.5	11.0	M 14 x 1.5
	DOM 12L-M16	12	22	22	-	27	13.0	12.0	M 16 x 1.5
	DOM 15L-M18	15	27	24	-	29	14.5	13.5	M 18 x 1.5
	DOM 18L-M22	18	32	27	-	30	15.5	14.0	M 22 x 1.5
	DOM 22L-M26	22	36	32	-	32	16.0	16.0	M 26 x 1.5
	DOM 28L-M33	28	41	41	38	34	19.0	17.5	M 33 x 2
	DOM 35L-M42	35	50	50	48	39	19.5	17.5	M 42 x 2
S	DOM 06S-M12	6	17	17	-	27	11.5	12.0	M 12 x 1.5
	DOM 08S-M14	8	19	19	-	27	11.5	12.0	M 14 x 1.5
	DOM 10S-M16	10	22	22	-	29	13.0	12.5	M 16 x 1.5
	DOM 12S-M18	12	24	24	-	29	14.5	13.0	M 18 x 1.5
	DOM 16S-M22	16	30	27	-	33	15.5	15.0	M 22 x 1.5
	DOM 20S-M27	20	36	32	-	37	19.0	15.0	M 27 x 2
	DOM 25S-M33	25	46	41	38	41	19.0	17.0	M 33 x 2
	DOM 30S-M42	30	50	50	48	45	19.5	18.5	M 42 x 2

Dimensions are given for approximate length with tightened nut, All dimensions are in millimeters for reference only, subject to change.
* The standard O-Ring material is NBR(e.g. Perbunan®) however FPM(e.g. Viton®) is also available on request (See Page 3).