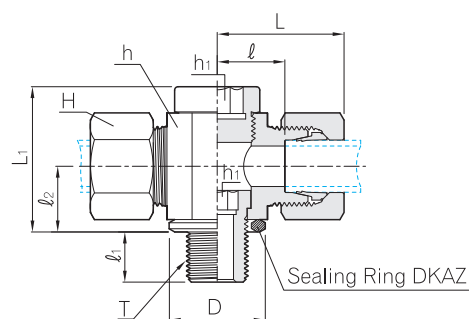


Throttlefree Banjo Fittings (BSP / Metric Paralled) with DKAZ-Ring DSVT-G/M



for BSP Paralled

Series	Part No.	Tube O.D.	D	H	h	h ₁	L	L ₁	l	l ₁	l ₂	T G(PF)	PN(bar) Steel
L	DSVT 06L - 01G	6	14	14	18	6	27	24	12.0	8	12	1/8	160
	DSVT 08L - 02G	8	18	17	22	8	29	30	14.0	12	15	1/4	160
	DSVT 10L - 02G	10	18	19	22	8	30	30	15.0	12	15	1/4	100
	DSVT 12L - 03G	12	22	22	27	10	32	36	17.5	12	18	3/8	100
	DSVT 15L - 04G	15	26	27	30	12	35	40	20.0	14	20	1/2	100
	DSVT 18L - 04G	18	26	32	30	12	36	40	19.5	14	20	1/2	100
	DSVT 22L - 06G	22	32	36	41	17	43	52	27.0	16	25	3/4	100
	DSVT 28L - 08G	28	39	41	46	22	46	58	29.5	18	29	1	100
	DSVT 35L - 10G	35	49	50	55	27	55	69	33.0	20	34	1 1/4	63
DSVT 42L - 12G	42	55	60	65	32	63	84	40.0	22	41	1 1/2	63	
S	DSVT 06S - 02G	6	18	17	22	8	31	30	16.0	12	15	1/4	160
	DSVT 08S - 02G	8	18	19	22	8	31	30	16.0	12	15	1/4	160
	DSVT 10S - 03G	10	22	22	27	10	34	36	18.0	12	18	3/8	100
	DSVT 12S - 03G	12	22	24	27	10	34	36	18.0	12	18	3/8	100
	DSVT 14S - 04G	14	26	27	32	12	40	42	22.0	14	21	1/2	100
	DSVT 16S - 04G	16	26	30	32	12	40	42	21.5	14	21	1/2	100
	DSVT 20S - 06G	20	32	36	46	17	50	57	28.5	16	28	3/4	100
	DSVT 25S - 08G	25	39	46	50	22	55	62	31.0	18	31	1	100
	DSVT 30S - 10G	30	49	50	60	27	63	74	36.5	20	36	1 1/4	63
DSVT 38S - 12G	38	55	60	70	32	72	84	41.0	22	41	1 1/2	63	

for Metric Paralled

Series	Part No.	Tube O.D.	D	H	h	h ₁	L	L ₁	l	l ₁	l ₂	T M(Metric)	PN(bar) Steel
L	DSVT 06L - M10	6	14	14	18	6	27	24	12.0	8	12	M 10 x 1	160
	DSVT 08L - M12	8	17	17	20	6	28	27	13.0	12	14	M 12 x 1.5	160
	DSVT 10L - M14	10	19	19	22	8	30	30	15.0	12	15	M 14 x 1.5	100
	DSVT 12L - M16	12	21	22	27	10	32	36	17.5	12	18	M 16 x 1.5	100
	DSVT 15L - M18	15	23	27	30	12	35	39	20.0	12	19	M 18 x 1.5	100
	DSVT 18L - M22	18	27	32	32	14	37	41	20.5	14	20	M 22 x 1.5	100
	DSVT 22L - M26	22	31	36	36	17	41	46	24.5	16	22	M 26 x 1.5	100
	DSVT 28L - M33	28	39	41	46	22	46	58	29.5	18	29	M 33 x 2	100
	DSVT 35L - M42	35	49	50	55	27	55	69	33.0	20	33	M 42 x 2	63
DSVT 42L - M48	42	55	60	65	32	63	84	40.0	22	41	M 48 x 2	63	
S	DSVT 06S - M12	6	17	17	20	6	30	27	15.0	12	14	M 12 x 1.5	160
	DSVT 08S - M14	8	19	19	22	8	31	30	16.0	12	15	M 14 x 1.5	160
	DSVT 10S - M16	10	21	22	27	10	34	36	18.0	12	18	M 16 x 1.5	100
	DSVT 12S - M18	12	23	24	30	12	36	39	19.5	12	19	M 18 x 1.5	100
	DSVT 14S - M20	14	25	27	32	12	40	41	22.0	14	20	M 20 x 1.5	100
	DSVT 16S - M22	16	27	30	36	14	42	45	23.5	14	22	M 22 x 1.5	100
	DSVT 20S - M27	20	32	36	46	17	50	58	28.5	16	28	M 27 x 2	100
	DSVT 25S - M33	25	39	46	50	22	55	62	31.0	18	31	M 33 x 2	100
	DSVT 30S - M42	30	49	50	60	27	63	74	36.5	20	36	M 42 x 2	63
DSVT 38S - M48	38	55	60	70	32	72	84	41.0	22	41	M 48 x 2	63	

Dimensions are given for approximate length with tightened nut. All dimensions are in millimeters for reference only, subject to change.