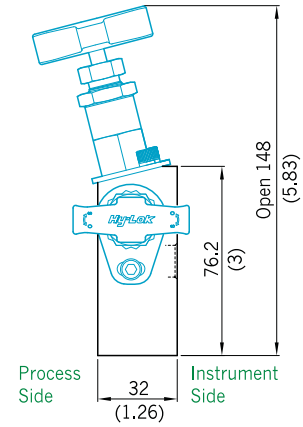
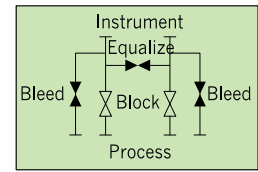
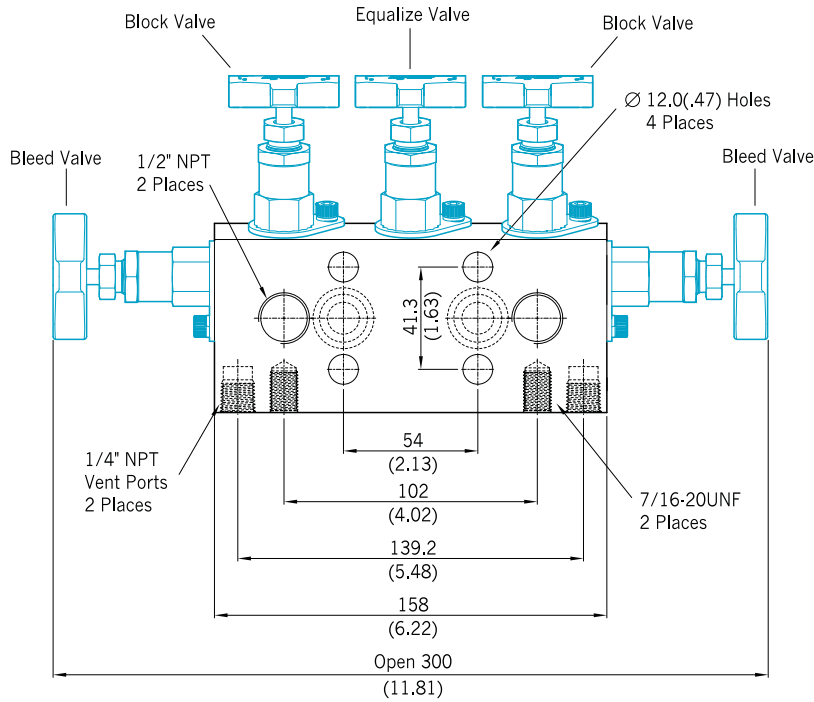


Instrument Manifold

5-Valves Single Block Flange

M5VDM ** 8N

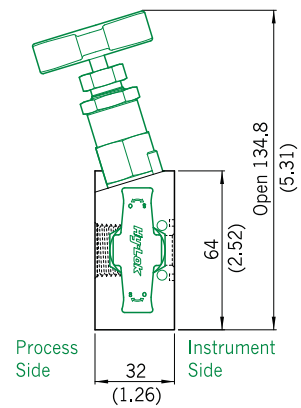
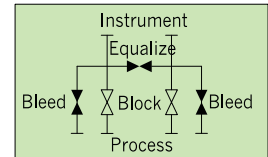
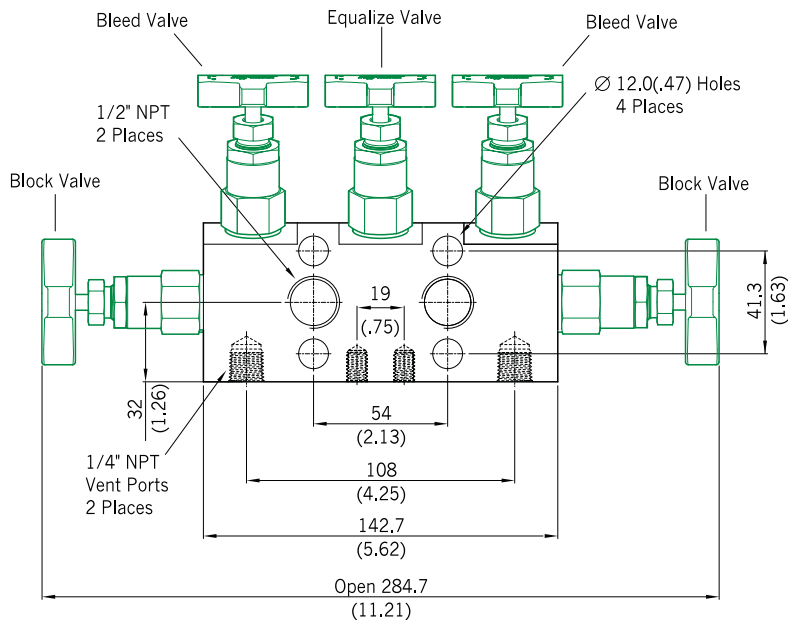
3.3 kg (7.3 lb)



5-Valves Single Block Flange "A" style

M5VDMA ** 8N

2.7 kg (6.0 lb)



All dimensions are in millimeters(inchs) reference only, subject to change.