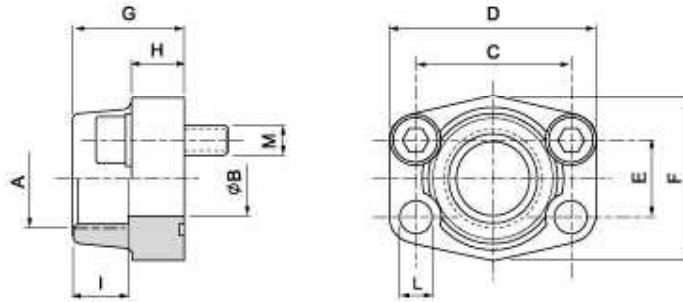


SAE J 518 C 61/62 Flanges

SAE - NPT threaded flange

SAAFS - N



Maximum recommended working pressure kg/cm ²	Nominal flange size, in	Type	Dimensions										Screws		Weight kg		
			A	B	C	D	E	F	G	H	I	L	M				
			metr.		unc												
		Standard Pressure															
350	½"	SAAFS 308-08N	½" NPT	13	38.10	54	17.48	46	36	16	19	9.0	M 8 x 30	⅝ x 1½	0.25		
350	¾"	SAAFS 312-12N	¾" NPT	19	47.63	65	22.23	50	36	18	19	11.0	M 10 x 35	⅝ x 1½	0.39		
350	1"	SAAFS 316-16N	1" NPT	25	52.37	70	26.19	55	38	18	22	11.0	M 10 x 35	⅝ x 1½	0.46		
280	1¼"	SAAFS 320-20N	1¼" NPT	32	58.72	79	30.18	68	41	21	22	11.5	M 10 x 40	⅝ x 1½	0.66		
210	1½"	SAAFS 324-24N	1½" NPT	38	69.85	93	35.71	78	45	25	24	13.5	M 12 x 45	⅝ x 1½	1.05		
210	2"	SAAFS 332-32N	2" NPT	51	77.77	102	42.88	90	45	25	30	13.5	M 12 x 45	⅝ x 1½	1.19		
175	2½"	SAAFS 340-40N	2½" NPT	63	88.90	114	50.80	105	50	25	30	13.5	M 12 x 45	⅝ x 1½	1.40		
140	3"	SAAFS 348-48N	3" NPT	73	106.38	134	61.93	124	50	27	34	17.0	M 16 x 50	⅝ x 2	2.15		
35	3½"	SAAFS 356-56N	2½" NPT	89	120.65	152	69.85	136	48	27	34	17.0	M 16 x 50	⅝ x 2	2.40		
35	4"	SAAFS 364-64N	4" NPT	99	130.18	162	77.77	146	48	27	34	17.0	M 16 x 50	⅝ x 2	2.85		
		High Pressure															
420	½"	SAAFS 608-08N	½" NPT	13	40.49	54	18.24	46	36	16	19	9.0	M 8 x 30	⅝ x 1½	0.26		
420	¾"	SAAFS 612-12N	¾" NPT	19	50.80	71	23.80	55	35	21	22	11.0	M 10 x 35	⅝ x 1½	0.50		
420	1"	SAAFS 616-16N	1" NPT	25	57.15	81	27.76	65	42	25	24	12.5	M 12 x 45	⅝ x 1½	0.76		
420	1¼"	SAAFS 620-20N	1¼" NPT	32	66.68	95	31.75	78	45	27	25	15.0	M 14 x 45	⅝ x 1½	1.20		
420	1½"	SAAFS 624-24N	1½" NPT	38	79.38	112	36.50	94	50	30	28	17.0	M 16 x 50	⅝ x 2	1.65		
420	2"	SAAFS 632-32N	2" NPT	51	96.82	134	44.45	114	65	37	30	21.0	M 20 x 65	⅝ x 2½	2.45		