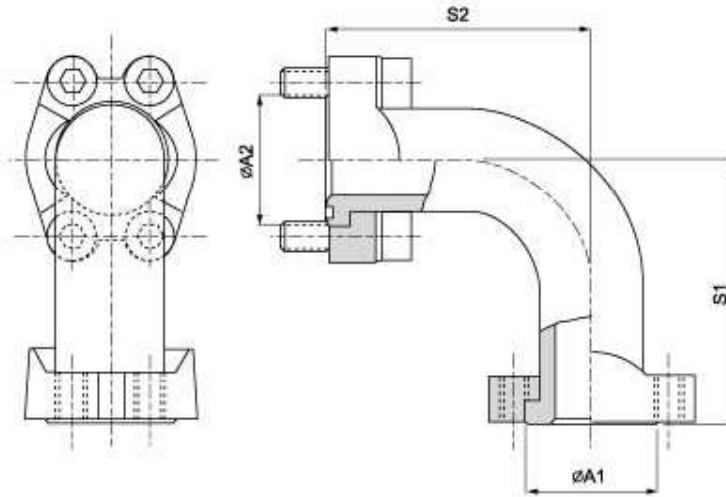


SAE J 518 C 61/62 Flanges

SAE - adapter 90° - welded

SAAG



Maximum recommended working pressure kg/cm ²	Nominal flange size, in	Type	Dimensions				Weight kg
			A1	A2	S1	S2	
		Standard Pressure					
350	½"	SAAG 308	30.2	30.2	70	70	0.65
350	¾"	SAAG 312	38.1	38.1	80	80	0.90
350	1"	SAAG 316	44.4	44.4	90	90	1.15
210	1½"	SAAG 320	50.8	50.8	103	103	1.50
210	1½"	SAAG 324	60.3	60.3	115	115	2.55
210	2"	SAAG 332	71.4	71.4	135	135	2.79
175	2½"	SAAG 340	84.1	84.1	155	155	3.20
35	3"	SAAG 348	101.6	101.6	175	175	4.60
35	3½"	SAAG 356	114.3	114.3	175	175	5.12
35	4"	SAAG 364	127.0	127.0	215	215	6.25
35	5"	SAAG 380	152.4	152.4	250	250	7.65