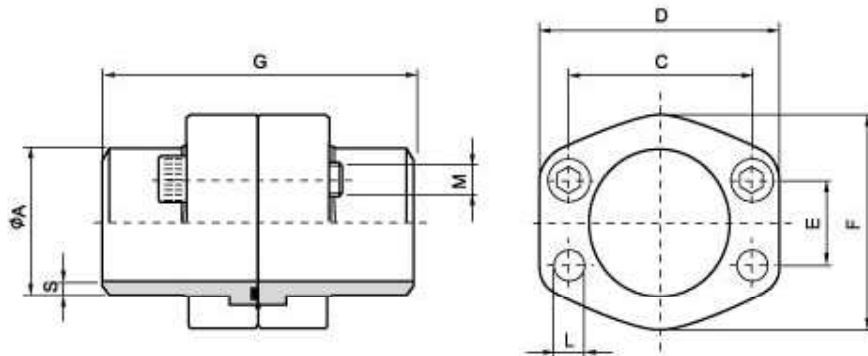


SAE J 518 C 61/62 Flanges

SAE - Welding neck coupling

SAEWNC



Maximum recommended working pressure kg/cm ²	Nominal flange size, in	Type	Dimensions							Screws		Weight kg
			Pipe size A x S	C	D	E	F	G	L	M		
										metr.	unc	
Standard Pressure												
350	½"	SAEWNC04-04B-61	21.3 x 3.7	38.10	54	17.48	45.6	100	9.0	M 8 x 35	⅜ x 1¼	0.08
350	¾"	SAEWNC06-06B-61	26.7 x 3.9	47.63	65	22.23	51.8	100	11.0	M 10 x 35	⅜ x 1¼	0.16
350	1"	SAEWNC08-08B-61	33.4 x 4.5	52.37	70	26.19	58.4	100	11.0	M 10 x 35	⅜ x 1¼	0.23
280	1½"	SAEWNC10-10B-61	42.2 x 4.9	58.72	79	30.18	72.6	110	11.5	M 12 x 45	⅜ x 1½	0.30
280	1½"	SAEWNC12-12B-61	48.3 x 5.1	69.85	94	35.71	82.2	120	13.5	M 12 x 45	⅜ x 1½	0.40
280	2"	SAEWNC16-16B-61	60.3 x 5.5	77.77	102	42.88	96.4	120	13.5	M 12 x 50	⅜ x 1½	0.50
210	2½"	SAEWNC20-20B-61	73.0 x 7.0	88.90	114	50.80	108.2	120	13.5	M 12 x 60	⅜ x 1½	0.80
210	3"	SAEWNC24-24B-61	88.9 x 7.6	106.38	135	61.93	130.6	120	17.0	M 16 x 70	⅜ x 2	1.10
160	3½"	SAEWNC28-28B-61	101.5 x 8.1	120.65	152	69.85	139.0	120	17.0	M 16 x 50	⅜ x 2	1.40
160	4"	SAEWNC32-32B-61	11.43 x 8.6	130.18	162	77.77	152.0	120	17.0	M 16 x 60	⅜ x 2	1.75
35	5"	SAEWNC40-40B-61	141.3 x 9.5	152.40	184	92.08	180.0	120	17.0	M 16 x 70	⅜ x 2	2.62
High Pressure												
420	½"	SAEWNC04-04C-62	21.3 x 4.7	40.49	56	18.24	47.2	100	9.0	M 8 x 35	⅜ x 1¼	0.08
420	¾"	SAEWNC06-06C-62	26.7 x 5.5	50.80	71	23.80	60.0	100	11.0	M 10 x 40	⅜ x 1½	0.17
420	1"	SAEWNC08-08C-62	33.4 x 6.4	57.15	81	27.76	69.6	100	13.0	M 12 x 45	⅜ x 1¼	0.25
420	1¼"	SAEWNC10-10C-62	42.2 x 6.4	66.68	95	31.75	77.2	110	14.5	M 14 x 50	⅜ x 1¼	0.30
420	1½"	SAEWNC12-12C-62	48.3 x 7.1	79.38	113	36.50	95.0	120	17.0	M 16 x 60	⅜ x 2	0.53
420	2"	SAEWNC16-16C-62	60.3 x 8.7	96.82	133	44.45	113.8	120	21.0	M 20 x 70	⅜ x 2½	0.90
420	2½"	SAEWNC20-20C-62	73.0 x 9.5	123.80	180	58.80	150.2	120	26.0	M 24 x 75	-	2.40
420	3"	SAEWNC24-24C-62	88.9 x 11.1	152.40	215	71.60	198.2	120	31.0	M 30 x 90	-	3.60