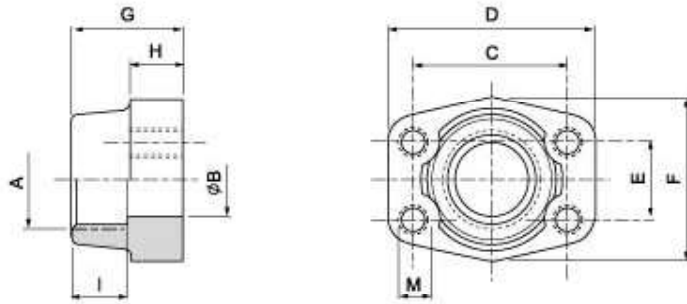


## SAE J 518 C 61/62 Flanges

SAE - NPT threaded flange - companion

### SAGFS - N



Maximum recommended working pressure kg/cm <sup>2</sup>	Nominal flange size, in	Type	Dimensions									Screws		Weight kg
			A	B	C	D	E	F	G	H	I	M		
												metr.	unc	
<b>Standard Pressure</b>														
350	½"	SAGFS 308-08N	½" NPT	13	38.10	54	17.48	46	36	16	19	M 8	⅜"	0.25
350	¾"	SAGFS 312-12N	¾" NPT	19	47.63	65	22.23	50	36	18	19	M 10	⅜"	0.39
350	1"	SAGFS 316-16N	1" NPT	25	52.37	70	26.19	55	38	18	22	M 10	⅜"	0.46
280	1½"	SAGFS 320-20N	1½" NPT	32	58.72	79	30.18	68	41	21	22	M 10	⅜"	0.66
210	1½"	SAGFS 324-24N	1½" NPT	38	69.85	93	35.71	78	45	25	24	M 12	½"	1.05
210	2"	SAGFS 332-32N	2" NPT	51	77.77	102	42.88	90	45	25	30	M 12	½"	1.19
175	2½"	SAGFS 340-40N	2½" NPT	63	88.90	114	50.80	105	50	25	30	M 12	½"	1.40
140	3"	SAGFS 348-48N	3" NPT	73	106.38	134	61.93	124	50	27	34	M 16	⅝"	2.15
35	3½"	SAGFS 356-56N	2½" NPT	89	120.65	152	69.85	136	48	27	34	M 16	⅝"	2.40
35	4"	SAGFS 364-64N	4" NPT	99	130.18	162	77.77	146	48	27	34	M 16	⅝"	2.85
<b>High Pressure</b>														
420	½"	GFS 608-08N	½" NPT	13	40.49	54	18.24	46	36	16	19	M 8	⅜"	0.26
420	¾"	AFS 612-12N	¾" NPT	19	50.80	71	23.80	55	35	21	22	M 10	⅜"	0.50
420	1"	AFS 616-16N	1" NPT	25	57.15	81	27.76	65	42	25	24	M 12	⅜"	0.76
420	1½"	GFS 620-20N	1½" NPT	32	66.68	95	31.75	78	45	27	25	M 14	½"	1.20
420	1½"	GFS 624-24N	1½" NPT	38	79.38	112	36.50	94	50	30	28	M 16	⅝"	1.65
420	2"	GFS 632-32N	2" NPT	51	96.82	134	44.45	114	65	37	30	M 20	⅝"	2.45