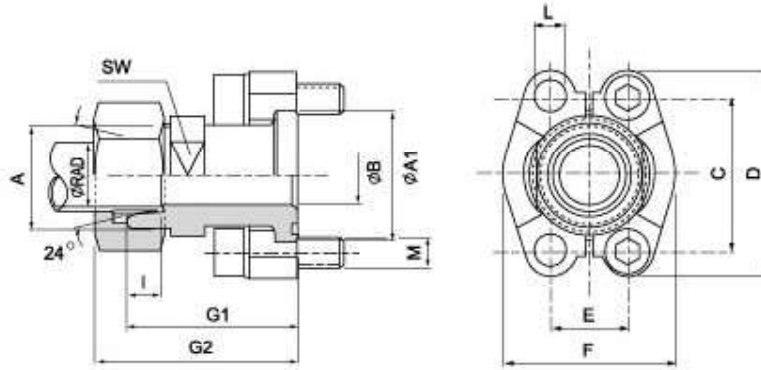


SAE J 518 C 61/62 Flanges

SAE - DIN 2353 connection flange DIN 3901/3902

SASFCE

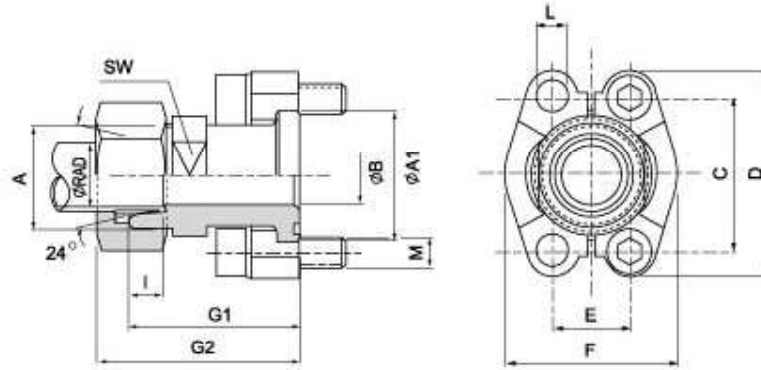


Maximum recommended working pressure kg/cm ²	Nominal flange size, in	Type	Dimensions											Screws		Weight kg		
			A	B	C	D	E	F	G ₁	G ₂	I	L	SW	M				
			metr.		unc.													
		Standard Pressure																
315	1 1/2"	SASFCE 308-15L	M 22 x 1.5	30.2	38.10	54	17.48	45.6	48.2	56	7.0	9.0	24	M 8 x 25	3/16 x 1 1/2	0.29		
350	1 1/2"	SASFCE 308-16S	M 24 x 1.5	30.2	38.10	54	17.48	45.6	50.2	60	8.5	9.0	24	M 8 x 25	3/16 x 1 1/2	0.32		
315	1 1/2"	SASFCE 312-18L	M 26 x 1.5	38.1	47.63	65	22.23	51.8	53.2	62	7.5	11.0	30	M 10 x 30	3/8 x 1 1/2	0.55		
160	1 1/2"	SASFCE 312-22L	M 30 x 2	38.1	47.63	65	22.23	51.8	53.2	62	7.5	11.0	30	M 10 x 30	3/8 x 1 1/2	0.56		
160	1 1/2"	SASFCE 312-28L	M 36 x 2	38.1	47.63	65	22.23	51.8	53.2	62	7.5	11.0	30	M 10 x 30	3/8 x 1 1/2	0.75		
350	1 1/2"	SASFCE 312-20S	M 30 x 2	38.1	47.63	65	22.23	51.8	57.2	68	11.0	11.0	30	M 10 x 30	3/8 x 1 1/2	0.63		
350	1 1/2"	SASFCE 316-25S	M 36 x 2	38.1	47.63	65	22.23	51.8	57.2	69	12.0	11.0	30	M 10 x 30	3/8 x 1 1/2	0.76		
160	1"	SASFCE 316-28L	M 36 x 2	44.4	52.37	70	26.19	58.4	54.2	65	7.5	11.0	36	M 10 x 30	3/8 x 1 1/2	0.69		
350	1"	SASFCE 316-25S	M 36 x 2	44.4	52.37	70	26.19	58.4	58.2	70	12.0	11.0	36	M 10 x 30	3/8 x 1 1/2	0.78		
350	1"	SASFCE 316-30S	M 42 x 2	44.4	52.37	70	26.19	58.4	63.2	76	14.0	11.0	36	M 10 x 30	3/8 x 1 1/2	0.91		
160	1 1/4"	SASFCE 320-28L	M 36 x 2	50.8	58.72	79	30.18	72.6	58.6	67	7.5	11.5	36	M 10 x 40	3/8 x 1 1/2	1.05		
160	1 1/4"	SASFCE 320-35L	M 45 x 2	50.8	58.72	79	30.18	72.6	58.2	69	11.0	11.5	41	M 10 x 40	3/8 x 1 1/2	1.10		
280	1 1/4"	SASFCE 320-25S	M 36 x 2	50.8	58.72	79	30.18	72.6	60.2	72	12.0	11.5	41	M 10 x 40	3/8 x 1 1/2	1.17		
280	1 1/4"	SASFCE 320-30S	M 42 x 2	50.8	58.72	79	30.18	72.6	62.2	75	14.0	11.5	41	M 10 x 40	3/8 x 1 1/2	1.19		
280	1 1/4"	SASFCE 320-38S	M 52 x 2	50.8	58.72	79	30.18	72.6	66.6	81	16.0	11.5	46	M 10 x 40	3/8 x 1 1/2	1.39		
160	1 1/2"	SASFCE 324-42L	M 52 x 2	60.3	69.85	94	35.71	82.2	64.2	76	11.0	13.5	46	M 12 x 35	1/2 x 1 1/2	1.34		
210	1 1/2"	SASFCE 324-38S	M 52 x 2	60.3	69.85	94	35.71	82.2	70.2	85	16.0	13.5	46	M 12 x 35	1/2 x 1 1/2	1.50		

SAE J 518 C 61/62 Flanges

SAE - DIN 2353 connection flange DIN 3901/3902

SASFCE

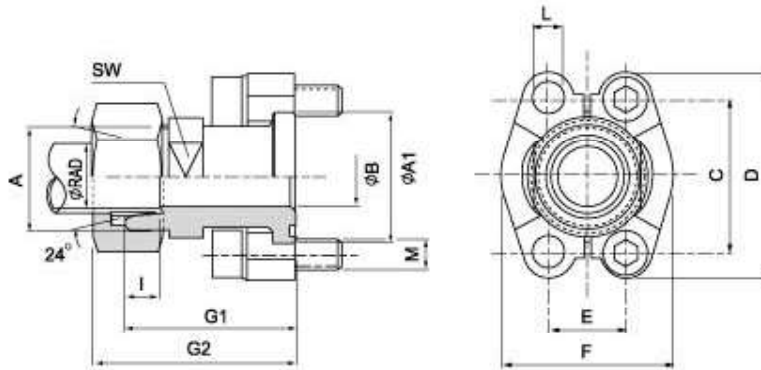


Maximum recommended working pressure kg/cm ²	Nominal flange size, in	Type	Dimensions											Screws		Weight kg		
			A	B	C	D	E	F	G1	G2	I	L	SW	M				
														metr.	unc.			
		Standard Pressure																
315	1/2"	SASFCE 308-15L	M 22 x 1.5	30.2	38.10	54	17.48	45.6	48.2	56	7.0	9.0	24	M 8 x 25	5/16 x 1 1/2	0.29		
350	3/8"	SASFCE 308-16S	M 24 x 1.5	30.2	38.10	54	17.48	45.6	50.2	60	8.5	9.0	24	M 8 x 25	5/16 x 1 1/2	0.32		
315	3/8"	SASFCE 312-18L	M 26 x 1.5	38.1	47.63	65	22.23	51.8	53.2	62	7.5	11.0	30	M 10 x 30	3/8 x 1 1/2	0.55		
160	3/8"	SASFCE 312-22L	M 30 x 2	38.1	47.63	65	22.23	51.8	53.2	62	7.5	11.0	30	M 10 x 30	3/8 x 1 1/2	0.56		
160	3/8"	SASFCE 312-28L	M 36 x 2	38.1	47.63	65	22.23	51.8	53.2	62	7.5	11.0	30	M 10 x 30	3/8 x 1 1/2	0.75		
350	3/8"	SASFCE 312-20S	M 30 x 2	38.1	47.63	65	22.23	51.8	57.2	68	11.0	11.0	30	M 10 x 30	3/8 x 1 1/2	0.63		
350	1/2"	SASFCE 316-25S	M 36 x 2	38.1	47.63	65	22.23	51.8	57.2	69	12.0	11.0	30	M 10 x 30	3/8 x 1 1/2	0.76		
160	1"	SASFCE 316-28L	M 36 x 2	44.4	52.37	70	26.19	58.4	54.2	65	7.5	11.0	36	M 10 x 30	3/8 x 1 1/2	0.69		
350	1"	SASFCE 316-25S	M 36 x 2	44.4	52.37	70	26.19	58.4	58.2	70	12.0	11.0	36	M 10 x 30	3/8 x 1 1/2	0.78		
350	1"	SASFCE 316-30S	M 42 x 2	44.4	52.37	70	26.19	58.4	63.2	76	14.0	11.0	36	M 10 x 30	3/8 x 1 1/2	0.91		
160	1 1/4"	SASFCE 320-28L	M 36 x 2	50.8	58.72	79	30.18	72.6	58.6	67	7.5	11.5	36	M 10 x 40	3/8 x 1 1/2	1.05		
160	1 1/4"	SASFCE 320-35L	M 45 x 2	50.8	58.72	79	30.18	72.6	58.2	69	11.0	11.5	41	M 10 x 40	3/8 x 1 1/2	1.10		
280	1 1/4"	SASFCE 320-25S	M 36 x 2	50.8	58.72	79	30.18	72.6	60.2	72	12.0	11.5	41	M 10 x 40	3/8 x 1 1/2	1.17		
280	1 1/4"	SASFCE 320-30S	M 42 x 2	50.8	58.72	79	30.18	72.6	62.2	75	14.0	11.5	41	M 10 x 40	3/8 x 1 1/2	1.19		
280	1 1/4"	SASFCE 320-38S	M 52 x 2	50.8	58.72	79	30.18	72.6	66.6	81	16.0	11.5	46	M 10 x 40	3/8 x 1 1/2	1.39		
160	1 1/2"	SASFCE 324-42L	M 52 x 2	60.3	69.85	94	35.71	82.2	64.2	76	11.0	13.5	46	M 12 x 35	1/2 x 1 1/2	1.34		
210	1 1/2"	SASFCE 324-38S	M 52 x 2	60.3	69.85	94	35.71	82.2	70.2	85	16.0	13.5	46	M 12 x 35	1/2 x 1 1/2	1.50		

SAE J 518 C 61/62 Flanges

SAE - DIN 2353 connection flange DIN 3901/3902

SASFCE



Maximum recommended working pressure kg/cm ²	Nominal flange size, in	Type	Dimensions												Screws		
			A	A ₁	B	C	D	E	F	G ₁	G ₂	I	L	SW	M		
			metr.		unc												
		High Pressure															
400	½"	SASFCE 608-16S	M 24 x 1.5	32	12	40.49	56	18.24	47	53	63	8.5	9.0	24	M 8 x 25	⅝ x 1½	
400	¾"	SASFCE 612-16S	M 24 x 1.5	41	12	50.80	71	23.80	60	59	69	8.5	11.1	30	M 10 x 35	⅝ x 1½	
400	¾"	SASFCE 612-20S	M 30 x 2	41	16	50.80	71	23.80	60	61	72	11.0	11.0	30	M 10 x 35	⅝ x 1½	
400	¾"	SASFCE 612-25S	M 36 x 2	41	17	50.80	71	23.80	60	63	75	12.0	11.0	30	M 10 x 35	⅝ x 1½	
400	¾"	SASFCE 612-30S	M 42 x 2	41	18	50.80	71	23.80	60	64	77	14.0	11.0	36	M 10 x 35	⅝ x 1½	
400	1"	SASFCE 616-25S	M 36 x 2	48	20	57.15	81	27.76	70	72	84	12.0	12.5	41	M 12 x 45	⅝ x 1½	
400	1"	SASFCE 616-30S	M 42 x 2	48	24	57.15	81	27.75	70	74	87	14.0	12.5	41	M 12 x 45	⅝ x 1½	
400	1¼"	SASFCE 620-30S	M 42 x 2	54	20/30	66.68	95	31.75	77	79	92	14.0	14.5	41	M 14 x 50	⅝ x 1½	
400	1¼"	SASFCE 620-38S	M 52 x 2	54	30	66.68	95	31.75	77	83	98	16.0	14.5	46	M 14 x 50	⅝ x 1½	
400	1½"	SASFCE 624-38S	M 52 x 2	64	30	79.38	113	36.50	95	89	104	16.0	17.0	46	M 16 x 55	⅝ x 2	