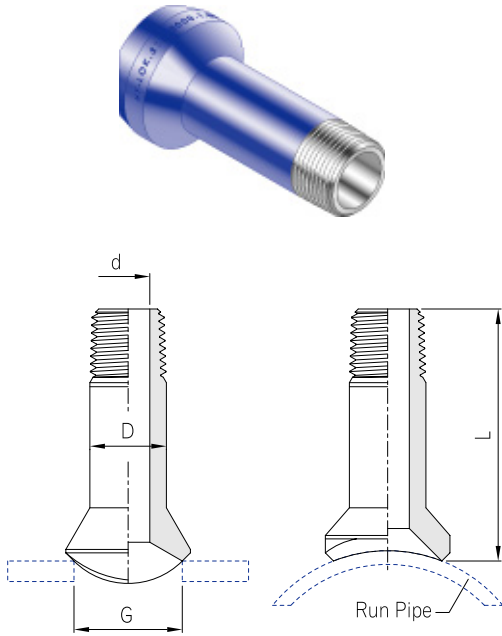
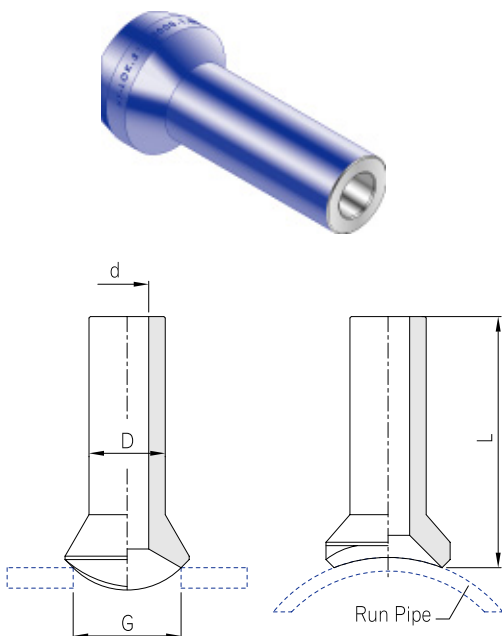


Nipple Outlet
SNOL



Nom. Pipe Size	DN	Run Pipe Size	L	G	d	D
1/2	15	36~ 3/4	88.9	23.9	14.0	21.3
3/4	20	36~ 1	88.9	30.2	18.8	26.7
1	25	36~1 1/4	88.9	36.6	24.4	33.3
1 1/4	32	36~1 1/2	88.9	44.5	32.5	42.2
1 1/2	40	36~ 2	88.9	50.8	38.1	48.3
2	50	36~2 1/2	88.9	65.0	49.3	60.5

Plain Nipple Outlet
SPOL



Nom. Pipe Size	DN	Run Pipe Size	L	G	d	D
1/2	15	36~3/4	88.9	23.9	14.0	21.3
3/4	20	36~ 1	88.9	30.2	18.8	26.7
1	25	36~1 1/4	88.9	36.6	24.4	33.3
1 1/4	32	36~1 1/2	88.9	44.5	32.5	42.2
1 1/2	40	36~ 2	88.9	50.8	38.1	48.3
2	50	36~2 1/2	88.9	65.0	49.3	60.5

Note : XX is Run Pipe Sizes

All dimensions are in millimeters.