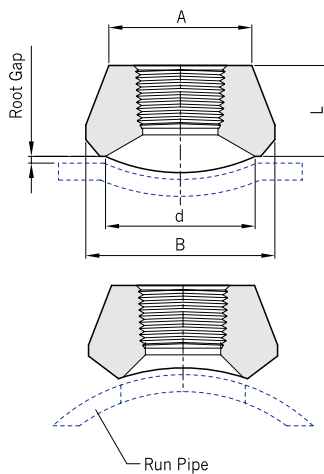


Thredolets  
**SOL**



Class Designation of Fittings	Nom. Pipe Size	A	B	d	L
3000	1/2	31.8	35.7	23.8	25.4
	3/4	36.6	43.7	29.4	26.9
	1	46.0	50.8	36.5	33.3
	1 1/4	55.6	65.1	44.5	33.3
	1 1/2	61.9	72.2	50.8	34.9
	2	74.6	88.1	65.1	38.1
6000	1/2	39.7	43.7	19.1	31.8
	3/4	45.2	49.6	25.4	36.6
	1	57.2	61.9	33.3	39.6
	1 1/4	65.1	69.1	38.1	41.3
	1 1/2	76.2	82.6	49.2	42.9
	2	92.1	102.4	69.9	52.3

**Note :** • For the CL.3000 and 6000 thredolets , inside bore, thread length dimensions are according to ASME B16.11  
 • Pipe schedule numbers and weight designations are in accordance with ASME B36.10

All dimensions are in millimeters.