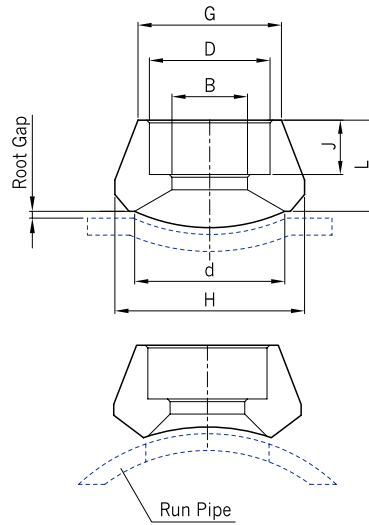
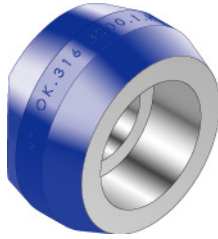


Pipe Fittings

Socketlets SWOL



Class Designation of Fittings	Nom. Pipe Size	DN	B Socket Bore Dia. ¹⁾	D Bore Dia.	G	H	d	Depth of socket Min. J	L
3000	1/2	15	22.2 21.8	16.6 15.0	31.8	35.7	23.0	9.5	25.4
	3/4	20	27.6 27.2	21.7 20.2	36.6	43.7	29.4	12.5	26.9
	1	25	34.3 33.9	27.4 25.9	46.0	50.8	36.5	12.5	33.3
	1 1/4	32	43.1 42.7	35.8 34.3	55.6	65.1	44.5	12.5	33.3
	1 1/2	40	49.2 48.8	41.6 40.1	61.9	72.2	50.8	12.5	34.9
	2	50	61.7 61.2	53.3 51.7	74.6	88.1	65.1	16.0	39.1
6000	1/2	15	22.2 21.8	12.5 11.0	39.7	43.7	19.1	9.5	31.8
	3/4	20	27.6 27.2	16.3 14.8	45.2	49.6	25.4	12.5	36.6
	1	25	34.3 33.9	21.5 19.9	57.2	61.9	33.3	12.5	39.6
	1 1/4	32	43.1 42.7	30.2 28.7	65.1	69.1	38.1	12.5	41.3
	1 1/2	40	49.2 48.8	34.7 33.2	76.2	82.6	49.2	12.5	42.9
	2	50	61.7 61.2	43.6 42.1	92.1	102.4	69.9	16.0	52.3

Note : 1) Upper and lower values for each size are the respective maximum and minimum dimensions.
 2) For the CL.3000 and 6000 socketlet, inside bore, socket depth dimensions are according to ASME B16.11
 3) Pipe schedule numbers and weight designations are in accordance with ASME B36.10

All dimensions are in millimeters.